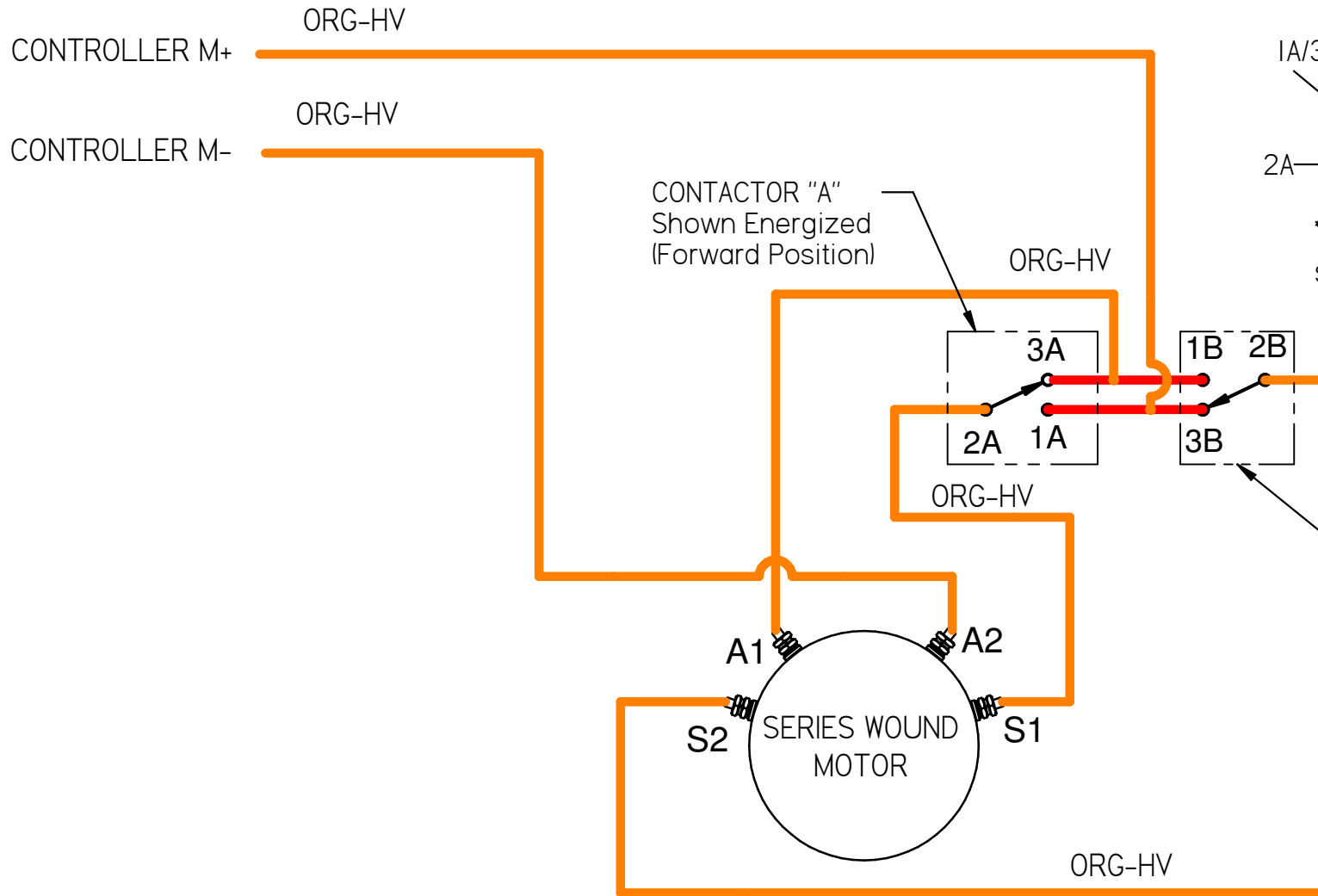
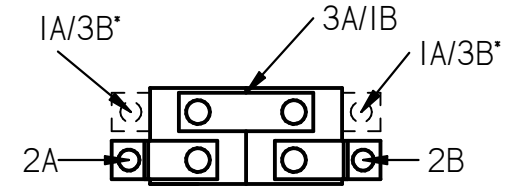


REVISION HISTORY			
REV	DESCRIPTION	DATE	APPROVED
0	DRAWN ON CAD	09/28/10	
1	ADDED CLARIFICATIONS	01/11/12	



Reversing Contactor, e.g.
Albright SW202A



*1A/3B can come out either side, depending on MFR.

Energize "A" for forward
Energize "B" for reverse

CONTACTOR "B"
Shown Not Energized
(Forward Position)

NOTES:

1. HV = High Voltage Wire

NAME	DATE	NetGain Controls, Inc.	
DRAWN: FRED	09/28/10	TITLE: REVERSING CONTACTOR WIRING SCHEMATIC SIZE: A PART NO. REV: 0 WDI_Wiring_Diagram_Reverse.dft SCALE: WEIGHT:	
CHECKED: RYAN	01/11/12		
PLOT DATE: 01/11/12			
THIS DRAWING IS THE PROPERTY OF NETGAIN CONTROLS, INC. AND IS NOT TO BE USED FOR ANY PURPOSE OTHER THAN THAT FOR WHICH IT WAS SPECIFICALLY FURNISHED			